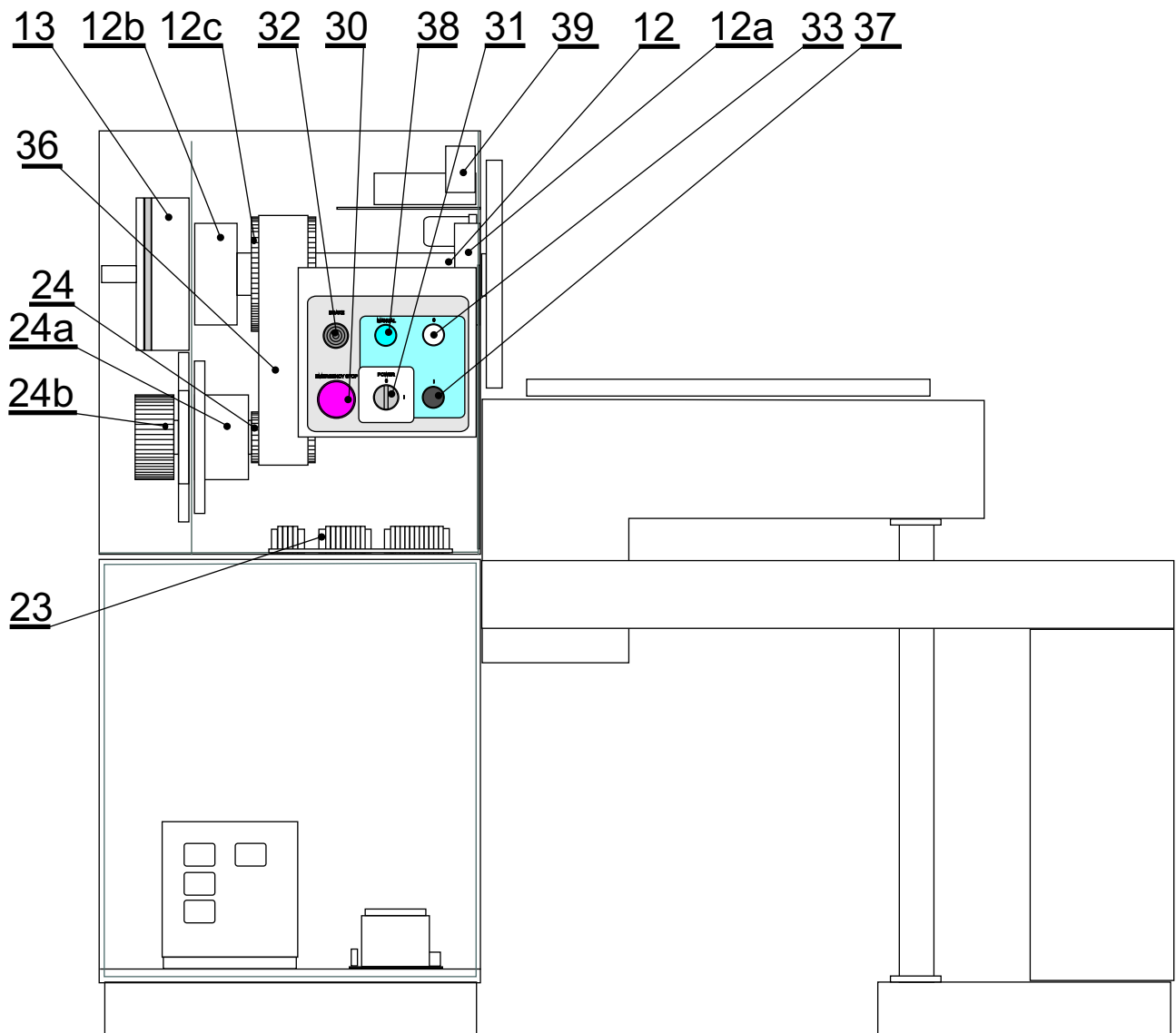




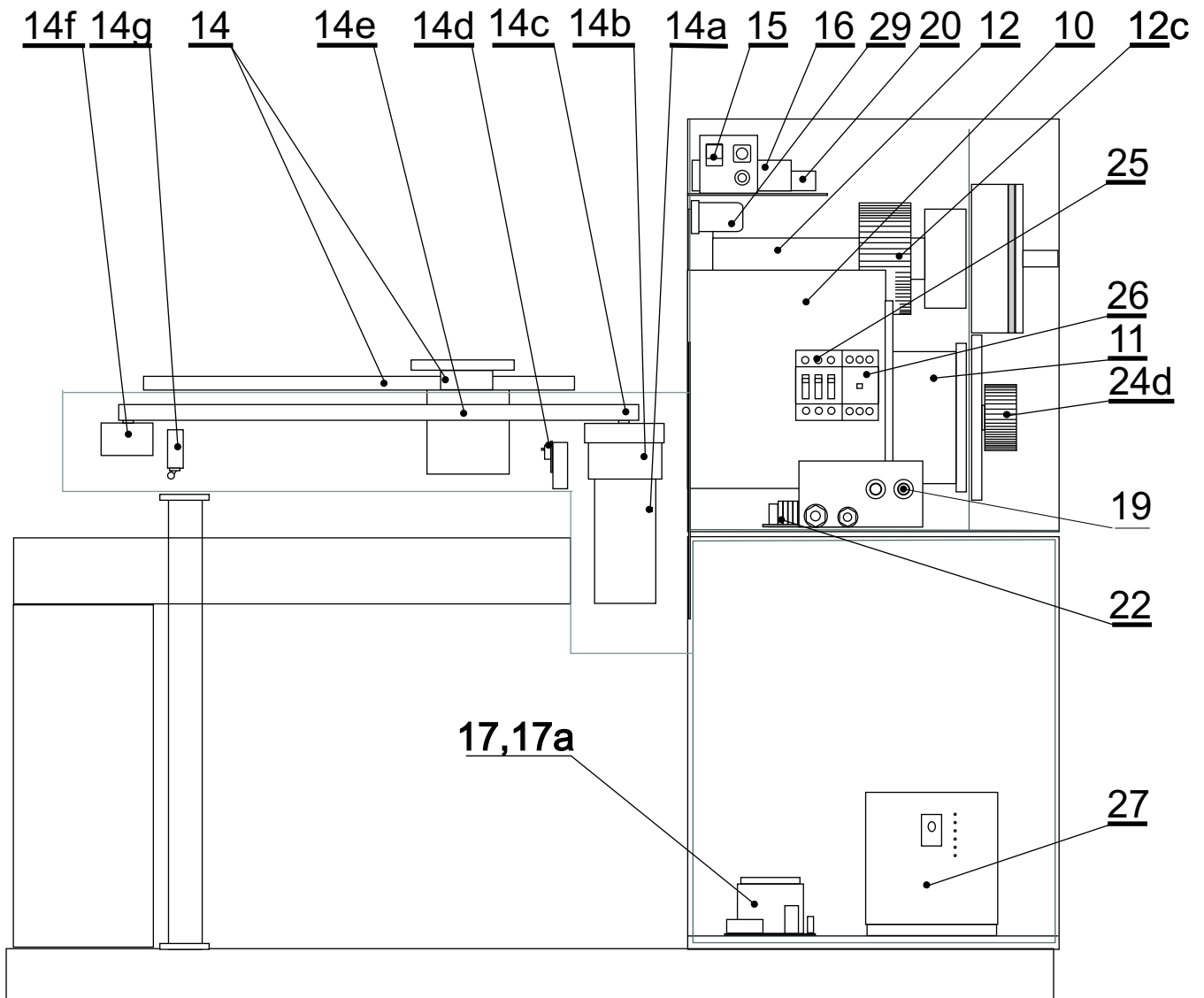
SPARE PARTS ERN 100G



- | | |
|-----------------------|---------------------|
| 12. Spindle | TA 025 52 |
| 12a. Ball bearing | 7210 B |
| 12b. Ball bearing | 6206 A2Z |
| 12c. Timing gear | 80 8M 50 |
| 13. Brake | BFK 458 24V/55W |
| 23. Connector | TA 048 68 |
| 24. Timing gear | 32 8M 50 - 6F |
| 24a. Ball bearing | 6206 A2Z |
| 24b. Timing gear | 60 5M 25 - 6W |
| 30. Emergency stop | TA 048 71 |
| 31. Stand - by switch | TA 048 76 |
| 32. Joystick | TA 048 74 |
| 33. Start - button | TA 026 41 |
| 36. Timing belt | PGGT 8MR - 880 - 50 |
| 37. Stop - button | TA 026 42 |
| 38. Manual - button | TA 026 43 |
| 39. Opto sensor | QMT42VN6FF1000 |



SPARE PARTS ERN 100G

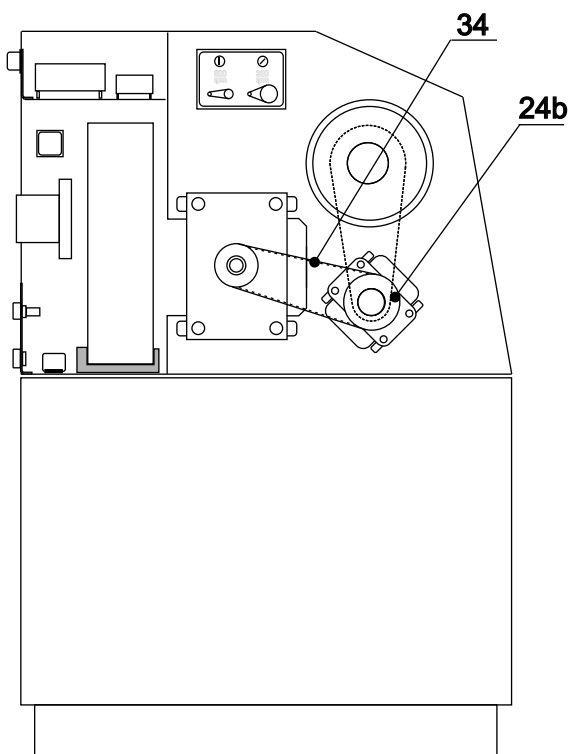


- | | | | |
|-------------------------|-----------------------|--------------------------|--------------------|
| 10. AC servo amplifier | SERVOSTAR S 712-F2 | 20. AC servo amplifier | TGA-24-9/20 |
| 11. Servomotor | TGT 5-1350-30-560/TOP | 22. Connector | TA 048 70 |
| 12. Spindle | TA 025 52 | 24d. Timing gear | 30 5M 25 - 6F |
| 12c. Timing gear | 80 8M 50 | 25. A.C.circuit braker | LPN 16C-3 |
| 14. Wire guide unit | NB SGL35A- cart | 26. Relay | RSI-25-40-A230 |
| | NB 00133 932-guide | 27. Back-up power supply | UPS SMART SUA 750I |
| 14a. Servo motor | TGT3-0250-45-320/TOP | 29. Relé | RP 700 PC/230V3P |
| 14b. Gear box | SG 090 025T3 | | |
| 14c. Timing gear | T10-0-Z16 | | |
| 14d. Microswitch | WN 559 00 | | |
| 14e. Timing belt | PU32 T10 | | |
| 14f. Ball bearing | 6001 AZR | | |
| 14g. Limit switch | XCKN2121G11 | | |
| | TA 026 44 | | |
| 15. Connector for pedal | TK 000 56-01 | | |
| 16. Power supply unit | TK 000 36/ST 106 | | |
| 17a. Power supply unit | TK 000 59/ST 107 | | |
| 17b. Power supply unit | SI-HA 125000 | | |
| 19. Fuse case | | | |

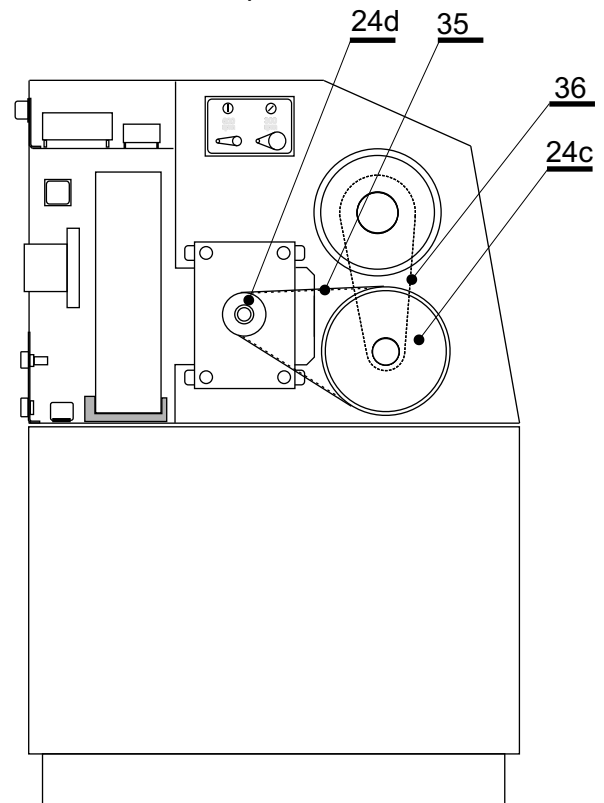


SPARE PARTS ERN 100G

Gear 600 rpm



Gear 300 rpm

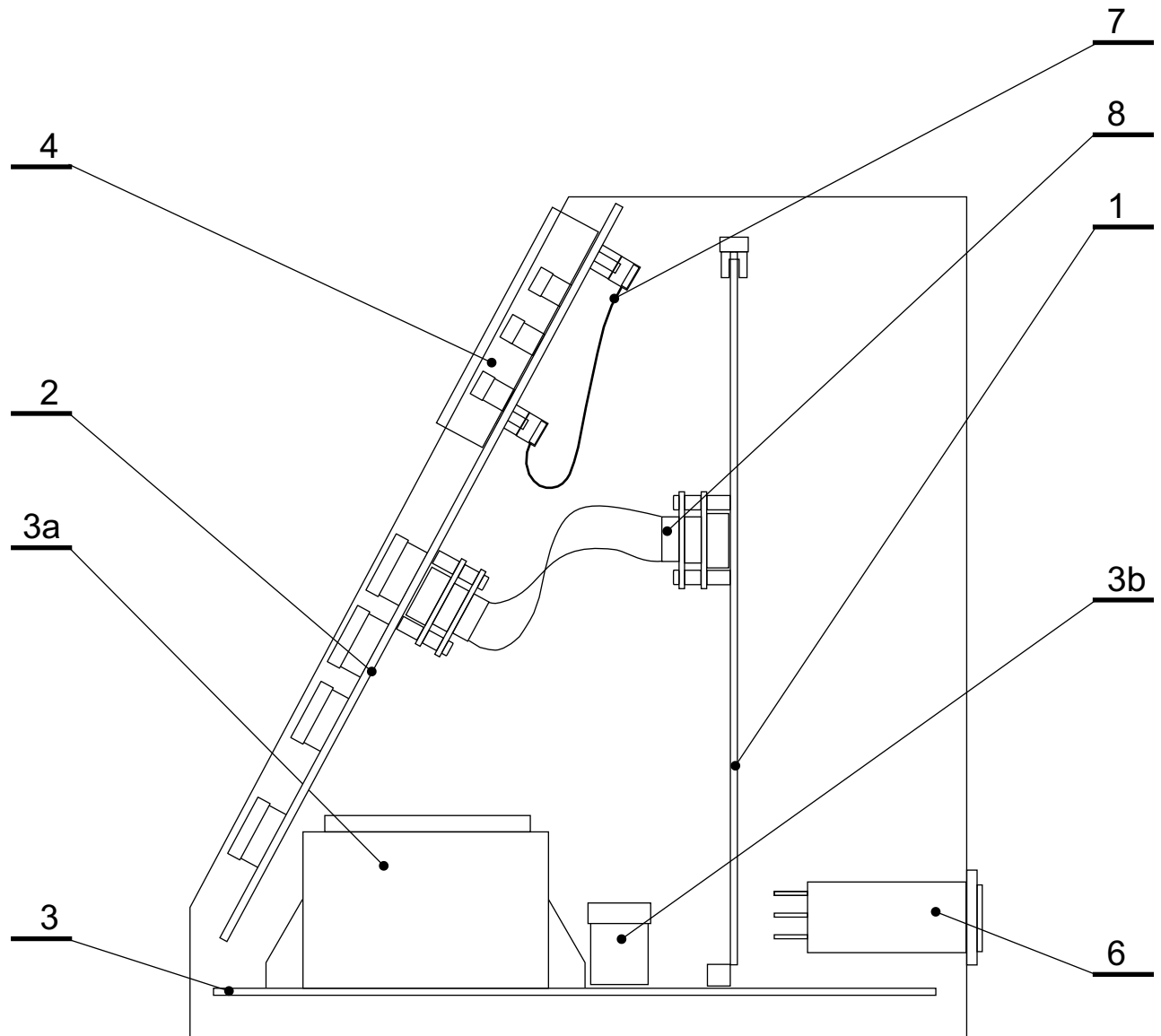


- 24b. Timing gear
- 24c. Timing gear
- 24d. Timing gear
- 34. Timing belt
- 35. Timing belt
- 36. Timing belt

- 60 5M 25 - 6W
- 120 5M 25 - 6W
- 30 5M 25 - 6F
- PGGT 5MR - 600 - 25
- PGGT 5MR - 800 - 25
- PGGT 8MR - 880 - 50



SPARE PARTS ERN 100G



- | | |
|--------------------------------|----------------------|
| 1. PCB 1. | TK 000 50 - 02 |
| 2. PCB with keyboard | TK 000 60 - 01 |
| 3. Backplane | TK 000 51 - 04 |
| 3a. Mains transformer | TRZ 007/ST 39 - 01 |
| 3b. Fuse for bluetooth adapter | 160mA/250V |
| 4. Display | PLANAR EL.240.128.45 |
| 6. Mains filter | ETI 39.19.160 |
| 7. Connector cable - display | TA 032 00 |
| 8. Connector cable -RS 232 | TA 032 01 |